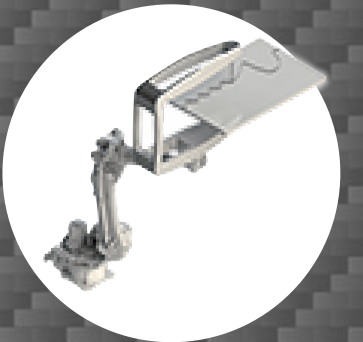
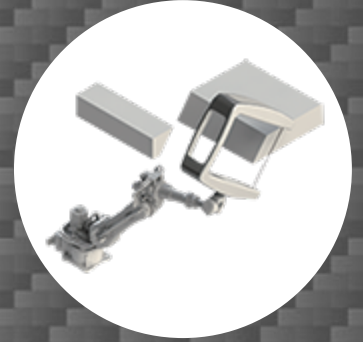
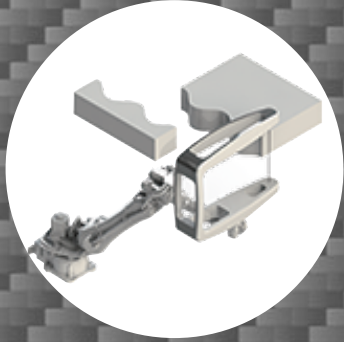
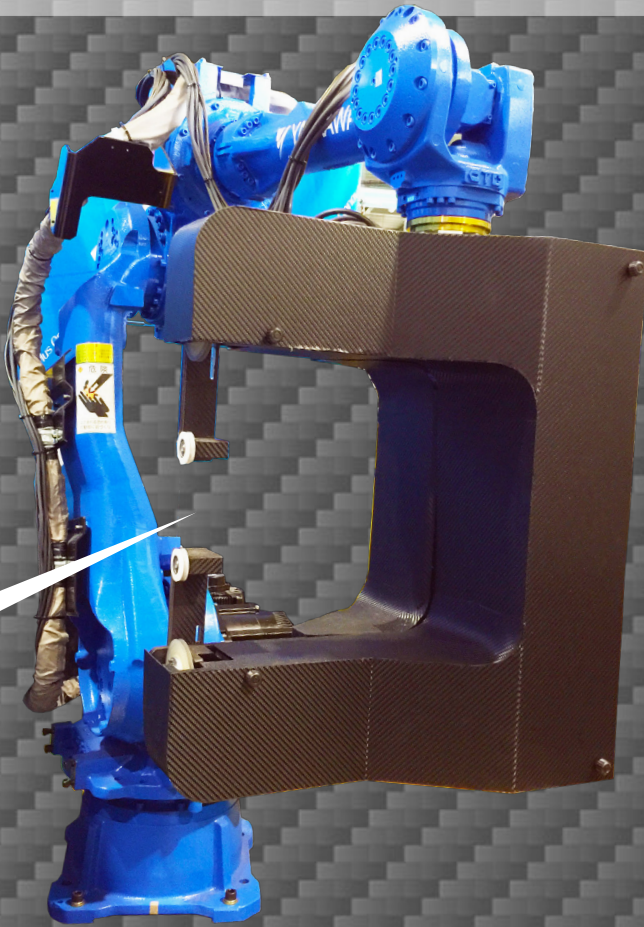


3D Cutting

Single Robot Wire Saw

**NEXT
GENERATION**
5000/70...

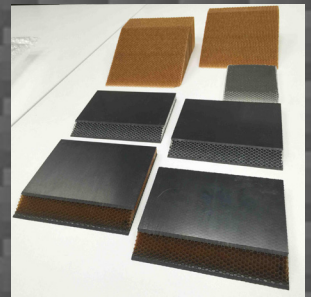
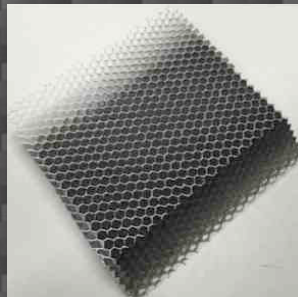
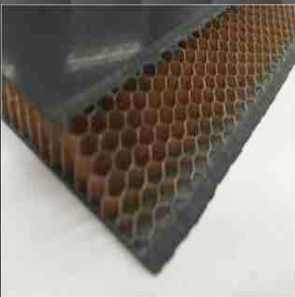
〈Cutting solution for Aircraft material〉



Diamond wire



- ◆ Target material . . . Honeycomb, CFRP, CFRP+Honeycomb, Ceramics others
- ◆ Improve cutting surface accuracy . . . High-precision and high-speed slicing by diamond wire
- ◆ Environment-responsiveness . . . Improve work environment by dry cutting
- ◆ Cost reduction . . . Reduce running cost by reducing consumables and processing cost.



DISTRIBUTOR :



GTI TECHNOLOGIES, INC

Head Office: 6 Armstrong Road Shelton, CT 06484-0433, U.S.A

Tel. 203-929-2200 Fax. 203-926-0074

<http://www.gti-usa.com>

MANUFACTURER :

Takatori Corporation

Head Office: 313-1 Shindo-cho, Kashihara-city,

Nara Pref, 634-8580, Japan

Tel. (+81)744-24-6608 Fax. (+81)744-24-8352

<http://www.takatori-g.co.jp> E-mail info@takatori-g.co.jp